

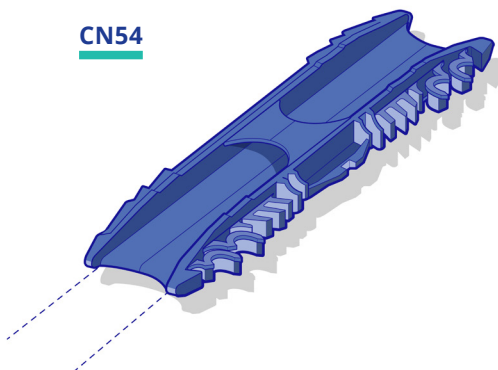
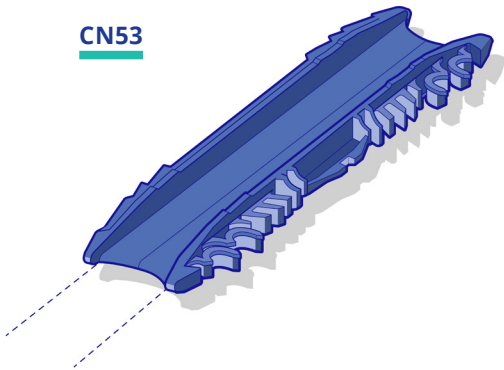
Product specification sheet

Connector CN53 | CN54

Produktdatenblatt

Connector CN53 | CN54

Material: PA 6 GF35, dry impact resistant
Fogging test DIN EN 1279-4: IFT Rosenheim, TÜV Rheinland Nederland B.V.
Color: similar to RAL 9005 (black) | similar to RAL 7035 (grey)
Environmental sustainability: fully recyclable, does not cause skin irritation (no glass fibre on the surface), free of harmful substances



Connector	Size	Length [mm]	Height [mm]
CN53	12	62,00	4,85
CN53	14	62,00	5,20
CN53	16	62,00	5,20
CN54	14	62,00	5,20
CN54	15	62,00	5,20
CN54	16	62,00	5,20
CN54	18	62,00	5,20